



TNT*
TNT*

Steelcase

Your **success** deserves a **Steelcase** office

North America 901, 44th Street . Grand Rapids MI 49508 USA > **tel:** +1 616 247 27 10 > **fax:** +1 616 246 40 40
Asia Pacific & India 4th floor, N32 Kowa Bldg . 5-2-32 Minami-Azabu . Minato-Ku . Tokyo 106-0047 Japan > **tel:** +81 3 3448 9611 > **fax:** +81 3 3448 9617
Europe Espace Européen de l'Entreprise . 1, allée d'Oslo . BP 40033 Schillingheim . 67102 Strasbourg Cedex > **tel:** +33 3 88 13 30 30 > **fax:** +33 3 88 28 31 78
Latin America 901, 44th Street . Grand Rapids MI 49508 USA > **tel:** +1 616 247 27 10 > **fax:** +1 616 246 40 40
Middle East & Africa PO Box 54269 . Dubai Airport Free Zone . Unit WMR8 . Dubai UAE > **tel:** +971 50 450 22 74 > **fax:** +971 4 299 6303

DM8878UK 1/106 © 2008 Steelcase. All rights reserved. All specifications subject to change without notice. Printed in France by OTT Imprimerie - Wasselonne.

B3530

TNT* – Make your workplace a dynamic workspace



B3477

www.steelcase.uk

Steelcase®

Do what you do better.™

Steelcase



*
T
N
T

At Steelcase, we believe a better workplace makes your company more successful. That's because it plays a crucial role in the way you **bring together your people, processes and technologies to get things done.**

Developed in partnership with multi-award winning designer **Isao Hosoe**, TNT* is a new kind of dynamic workspace solution with a wide range of options for all kinds of users and workstyles.

That allows your people to get their desk space set up just the way they want it so they're more comfortable and productive in their work. In addition innovative features allow them to **switch quickly between solo and collaborative tasks.**

TNT* also lets your company manage workspace more effectively because it's exceptionally **easy to configure and reconfigure.** Select the best layout for today and reconfigure it without hassle when your needs change.

Let your company perform at its best



B3470



B3471

Steelcase



B3468



B3498

Simplicity itself

With just a few basic components to manage accessories, TNT* is simplicity itself.



B3497

Dynamic control

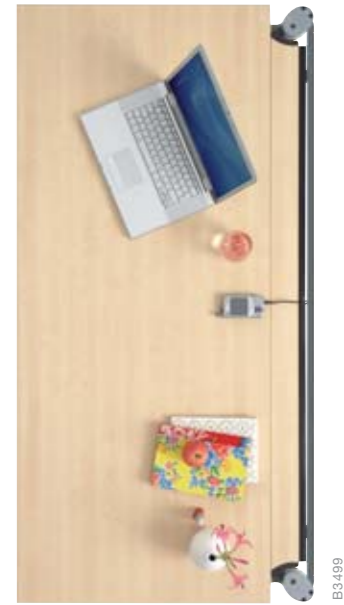
TNT* dynamic accessories make it easy to organise desktops to create visual privacy for concentration tasks or make connections with others for collaborative tasks.



B3500

Corner access for overhead space

Gain valuable space by using TNT*'s range of flexible storage, shelving, screens and accessories that make the most of the third level space above your workspace.



B3499

Top access cable management

TNT* desktops have specially-designed top access features allowing easy access when you're plugging in or packing up.



B3531



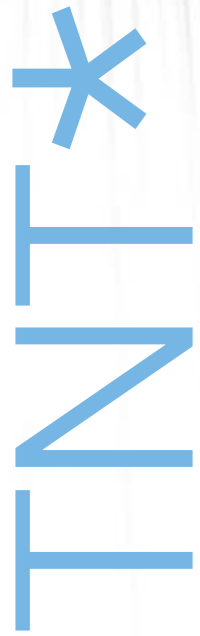
B3532



B3534



B3533



People move. Teams change. Companies reorganise. Wouldn't it be great to have a workstation that **adapts to your workplace**, and not the other way around?

TNT* supports a wide range of **interactive, collaborative and individual tasks**. In other words, it deals with anything you can throw at it, quickly and easily, allowing you to configure and reconfigure your workspace exactly to your needs.

Thanks to its flexible architecture, TNT* allows you to **expand, upgrade or adapt any configuration** to the changing needs of users and teams. It's everything your people need to perform to their full potential at all times.

A workstation for the way you work



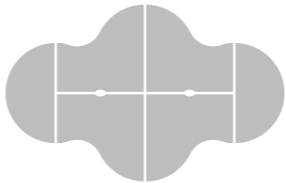
B3505

A1722

A workspace for everyone



TNT* Teamstation



Today a **flexible environment** is a must. A TNT* teamstation is ideal for both solo and collaborative tasks thanks to intelligent elements that can be easily reconfigured and upgraded.



When your people spend a lot of time at their own desks, TNT* provides all the space and storage they need. **Configurable overhead and mobile storage elements and a large desktop** keep their tools and documents close at hand. At the same time its round shape and movable nomadic tables lend themselves easily to teaming activities.



Call centre



TNT* is ideal for call centre applications. Adjacent workstations make the most **efficient use of space**, sharing common elements like storage and screens. Acoustic screens create the right conditions for **privacy and concentration**, while an overhead lockable personal box can be used to maximise storage. **Technology integration** keeps power and data close at hand.



Manager office



Fine materials like wood veneer and leather create a **comfortable, welcoming environment** that suits the needs of most managers. Configure the space exactly to individual needs and preferences with adaptable nomadic storage units and dedicated desktop shapes for personal space and receiving visitors.



Meetings

A workspace for meetings, conferences and in-between solutions. TNT* offers a wide range of nomadic table shapes and combination possibilities that allow you to **quickly change configurations for different purposes.**



Whether formal meetings, presentations, video conferences, training sessions or an impromptu meeting at a personal workstation or in a coffee area, TNT* helps you to keep things varied and interesting.

Turn desk space into dynamic workspace



The Butterfly

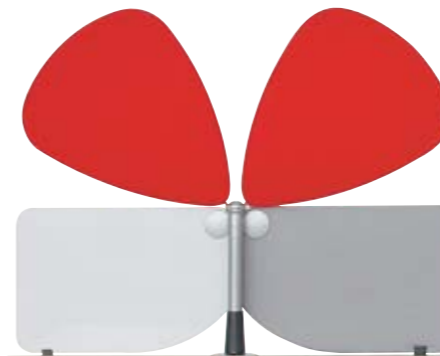
A highly flexible, innovative tool for controlling visual privacy. Consists of two freely moveable 'wings' attached to a central column; the column can also hold other tools at the same time.

The Accessory Support

A handy organisation tool for keeping your most frequently used stuff within reach. Attached securely to a column that's easy to move around for the most comfortable position or sharing with colleagues, and compatible with the other dynamic accessories.

The Flat Screen Monitor Arm

An articulated arm that's fully adjustable in column height, depth (240mm), tilt (up/down) and viewing angle (left/right). Compatible with VESA 75 and 100 LCD monitor standards.



The 180° Screen

Comprises two panels that rotate freely around a central column to give the user complete control over their privacy: open for interactions or closed for working alone. Available in fabric panels or with one panel as a wipeable writing board for displaying notes and messages.

The Steelcase Connecting Hub

Provides convenient power, data and phone connections on a central column that can be shared with the Butterfly, 180° Screen or Flat Screen Monitor Arm.

TNT* dynamic accessories give your people **active control over their own workspace**, so that a single TNT* workspace can meet most people's needs and preferences for privacy and interaction with others. What's more, there's no need for a fitter: just slide the accessories into position using the easy connections.

B3472

Build it around your personal workstyle



TNT* third level storage sits close-at-hand above the desktop, increasing the total storage area without taking up valuable floor space. There's a wide range of box and shelving types that allow you to select just the right configuration for your needs.

New C class certified **acoustic screens** for noise reduction allow your people to be more comfortable and productive in a quiet workplace. They are made of recyclable PET plastic and available with a fabric cover in a range of matching colours.

TNT* in details



Third level metal shelf



Screen connector



Dynamic column



180° writing board



Accessory Support



Juxtaposed pedestal



B3515

B3494

B3528

A1711

B3526

B3514

B3521



B3469

B3522

B3523

Quickfix

Quickfix is a one-touch assembly feature that enables the desk to be easily built or disassembled in a few minutes.



Forward Arm



Steelcase Connecting Hub



CPU holder



Cutaway desktop edge



Corner access and spoon



Alpha leg cable riser; holds three to five cables

B3511

B3510

B3527

B3529

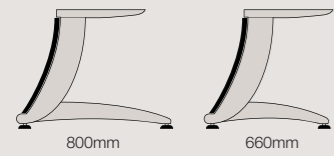
B3486

B3487

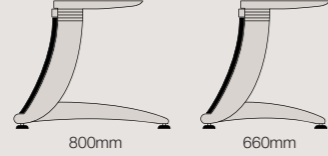
Set the right tone



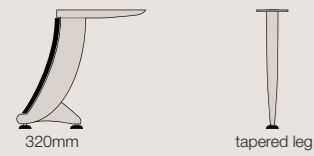
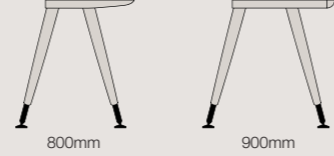
ALPHA Leg
Fixed height of 720mm,
with levelling glide 720 to 740mm.



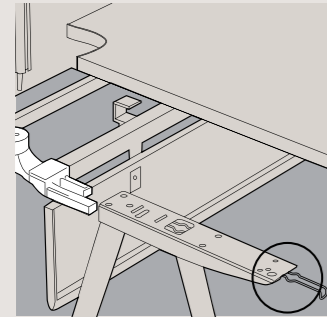
ALPHA Leg
Maintenance height
adjustability 680 to 820mm.



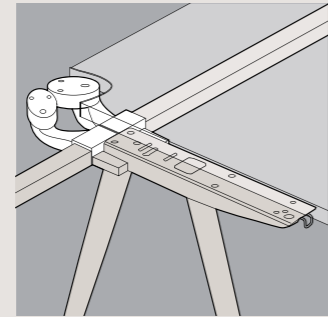
"4-Leg"
Standard height
adjustability: 620 to 820mm.



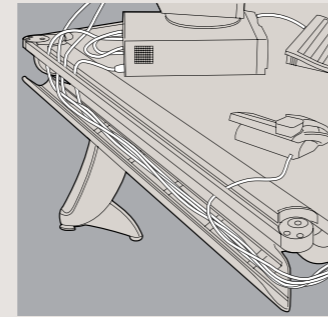
TNT* - intelligence
Quickfix system



Shared leg between two workstations



Cable management on Top-access function

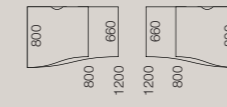


B3896

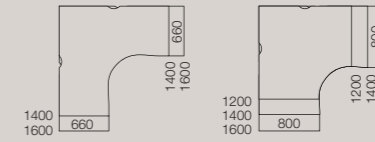
Tops
Straight



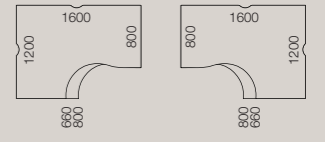
Transition



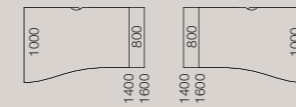
Symetrical



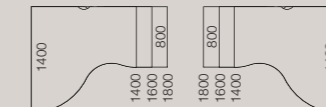
Asymetrical



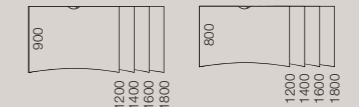
Compact



Wave



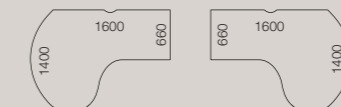
Compact double wave



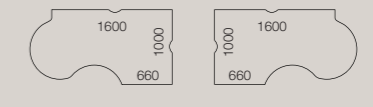
Interactive reception



Interactive manager



Interactive corner



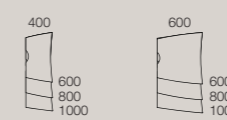
Star Pentagon



Isola



Desk Return

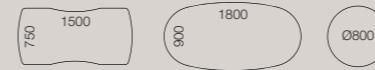


Extention



* 1400mm structure with no visible spoons
** 1200mm structure with no visible spoons

Nomads
Mobile desks



Informal meeting tables



Low tables



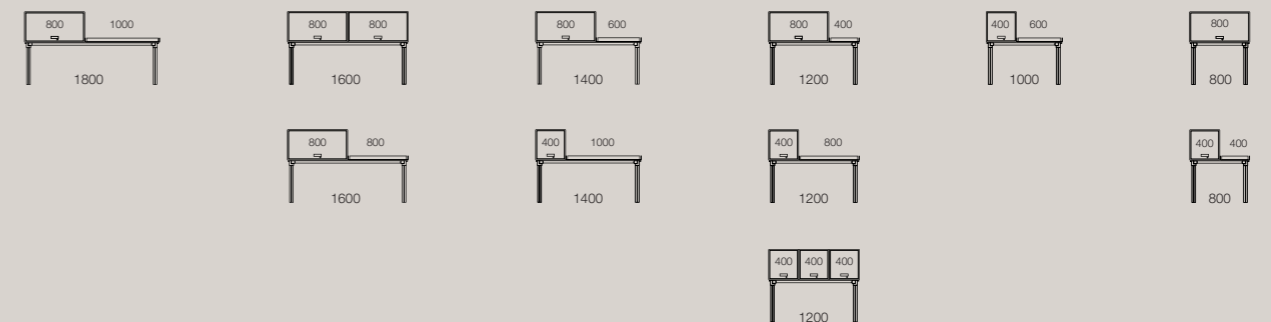
Formal meeting tables



3rd level organisation
Metal shelf



3rd level storage



Acoustic screen



Desks

- 1 Double Wave/Type 45
- 2 "Standard function"
- 3 "Dynamic function"
- 4 Symmetrical Return for Double Wave
- 5 Extension for Double Wave
- 6 "4-Leg" tapered leg
- 7 Wave/Type 25
- 8 "Corner-access function"
- 9 ALPHA Leg (option)
- 10 "4-Leg" (option)

Cable management

- 11 Horizontal cable tray - Large capacity
- 12 Vertical cable tray

Modesty panels

- 13 Modesty panel

Storage

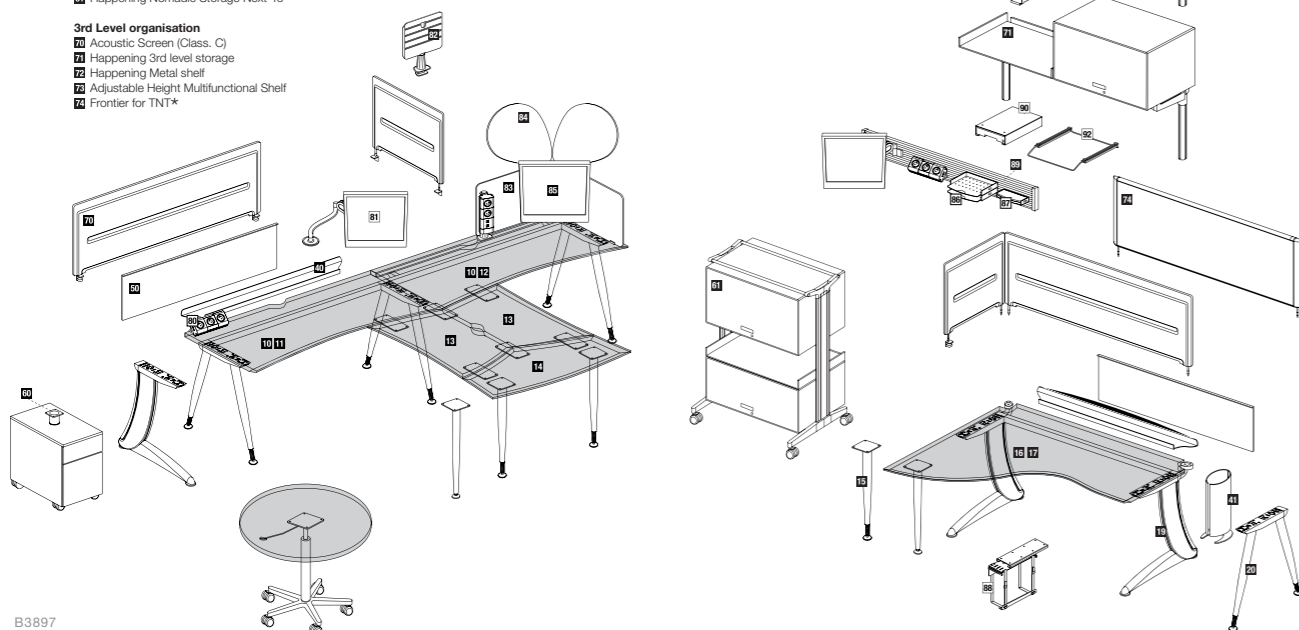
- 14 Interface for Supporting Pedestal
- 15 Happening Nomadic Storage Next-To

3rd Level organisation

- 16 Acoustic Screen (Class. C)
- 17 Happening 3rd level storage
- 18 Happening Metal shelf
- 19 Adjustable Height Multifunctional Shelf
- 20 Frontier for TNT*

Accessories

- 21 Steelcase Connecting Hub (see Worktools)
- 22 Forward Arm (see Worktools)
- 23 Accessory Support - With Dynamic Column
- 24 18" Screen
- 25 Butterfly
- 26 Flat Screen Arm
- 27 A4 Letter Trays (see Worktools)
- 28 Office in a File (see Worktools)
- 29 CPU supports - Vertical processor Sling (see Worktools)
- 30 Slatwall on TNT* Columns
- 31 Brics (see Happening)
- 32 Book Ends for "Above" shelves (see Happening)
- 33 Frame for "Above" Hanging files (see Happening)



B3897

B3898

Steelcase Vision

Since 1912, the Steelcase Vision is to make a **meaningful contribution to the success** of our customers.

We do this using **in-depth knowledge** of work and work processes as a basis for creating a **better work experience**. We make this possible by offering a wide range of **quality office furnishing solutions** and support that customers always can rely on, no matter **where in the world they are**. We add **measurable value**

by understanding how people work and serving them through our **unmatched global network**.

Sustainability is embedded in everything we do. This has made us the **preferred partner** for many of the **world's best companies**.



TNT* 's environmental performance

Like for any other Steelcase product, during TNT* 's development process we considered environmental impacts of our decisions at every stage of the product's lifecycle - from materials extraction, production, transportation, use and re-use, to end of life.

The Life Cycle Assessment (LCA - ISO 14040-43) method helped us create a more sustainable product by measuring and reducing the environmental impacts, and thus avoid the transfers of pollution from one stage to another or from one country to another.

Use

To maximise its working life, TNT* is modular and easy to upgrade. The wooden components release virtually no formaldehydes according to the low emission E1 standard (EN13986). The polyester fabric is labelled marked with the Oeko-Tex 100 Standard, ensuring no release of toxic substances during use of the product.

End of life

TNT* is 99% recyclable by weight. TNT* is modular and easy to disassemble using normal hand tools, and will be taken back and recycled with the new Steelcase Environmental Partnership Program.



Materials

TNT* contains no hazardous materials, no heavy metals, and is made from recycled materials. We give preference to forests independently certified as sustainable, and our main suppliers of particle boards for our production sites in Rosenheim (Germany) and in Marlenheim (France) are already capable of delivering FSC and/or PEFC certified products.

Transport

Flat packaging help us keep our transport volumes as low as possible and improve filling rates.

Production

The production sites in Sarrebourg, Wisches (France), Rosenheim (Germany) and Madrid (Spain) are ISO 14001 / EMAS certified. The site in Marlenheim (France) is in the process of obtaining the certification. Powder-coat painting and glue used to attach edge on table are without solvents thus release no VOC, and are free of heavy metals.

With TNT* we can provide:



"NF Environnement" certification. Based on the ISO 14024, this voluntary certification mark awards products that have a reduced effect on the environment.

Environmental Product Declarations (EPD). Based on the ISO 14025, its purpose is to communicate clear and transparent information about a product's impacts on the environment at all stages of its life cycle.