



Universal Storage  
Universal Storage

## Universal Storage

– A world of sustainable solutions in store

# Steelcase

**North America** 901, 44th Street . Grand Rapids MI 49508 USA > **tel:** +1 616 247 27 10 > **fax:** +1 616 246 40 40

**Asia Pacific & India** 4th floor, N32 Kowa Bldg . 5-2-32 Minami-Azabu . Minato-Ku . Tokyo 106-0047 Japan > **tel:** +81 3 3448 9611 > **fax:** +81 3 3448 9617

**Europe** Espace Européen de l'Entreprise . 1, allée d'Oslo . BP 40033 Schiltigheim . 67012 Strasbourg Cedex . France > **tel:** +33 3 88 13 30 30 > **fax:** +33 3 88 28 31 78

**Latin America** 901, 44th Street . Grand Rapids MI 49508 USA > **tel:** +1 616 247 27 10 > **fax:** +1 616 246 40 40

**Middle East & Africa** Design House unit A2 . PO Box 502596 Dubai Media City . Dubai UAE > **tel:** +971 4 369 7838 > **fax:** +971 4 369 7837

DR113UK 06/07 © 2007 Steelcase. All rights reserved. All specifications subject to change without notice. ♻️ Printed on at least 80% recycled paper. Printed in France by OTT Imprimeurs - Massalonne



B6561

[www.steelcase.com](http://www.steelcase.com)

**Steelcase**®

Do what you do better.™

**Steelcase**

Concept & Design: Rethinking Group - [www.rethinkinggroup.com](http://www.rethinkinggroup.com) Product Design: Universal Storage Steelcase Design and Foster and Partners Think Glen Oliver Low - B6258



B6261



B6556



B6559



B6315



B6259



B6285

# Universal Storage

You might think office storage isn't much to get excited about. If so, allow us to change your mind. You see, Steelcase Universal Storage isn't just a place to keep your things, although with **countless features** to help filing and retrieval, it is a great way of organising your documents and work tools. In an average office, **people spend up to 30% of their time looking for information**, so efficient solutions benefit everyone.

Like every Steelcase product, Universal Storage is meticulously designed to go way beyond what you might expect. It's a very **ergonomic and robust work tool** that will help make your day just a little bit more productive and effective, whether during installation, everyday use or office reorganisations. Moreover, it is fully **sustainable**, free of PVC and uses eco materials and manufacturing processes.

Universal Storage is a complete storage family of medium-to-high capacity metal cupboards. It offers three closure types, seven heights and **highly functional internal fittings, including compatibility with 1+1 Worktools**. The universal design matches every Steelcase desk and space division range. This makes Universal Storage a **comprehensive and flexible** way of meeting every one of your storage needs while supporting your space planning strategy.

It's no surprise that Universal Storage is one of our best selling products, with over 1.7million units sold world-wide. Now that we've introduced these improvements – and hopefully whetted your appetite for storage solutions – **wouldn't you like to find out more?**

Universal Storage  
– A world of sustainable solutions in store



B6548

B6550

B6558

Universal Storage has a **contemporary style** that matches every Steelcase desk range and any office to help you create harmonious environments.

With **countless space planning options** it **keeps on performing**, even when you reorganise your workspace.



3x Tambour units  
H1980x W1200  
3x Stackable Tambours  
H500 x W1200



**Interactive cluster**

Facilitates team interactions and document sharing with a standing-height informal workstation.



Interactive cluster  
4x Tambour units  
H1000 x W1000



**Stackable unit**

Make use of vertical space to free up more of your office, and save money.



**Internal fittings**

Retrieve documents easily with the reference shelf. Use the book support to keep documents in place.

**Magnetic coat hook**

Keep the office tidy.

Universally useful

Universal Storage is designed to take the hard knocks of office life, and that includes moving from place to place. Its **robust monobloc frame construction** provides exceptional rigidity, which means you can move it, even when fully loaded. Universal Storage is packed full of

smart ideas to facilitate installation and reconfiguration. It also features a patented **door stop click** and **ballasts you can fit from inside**. It has been awarded the GS & Sécurité Confortique certifications for its excellent build quality and user safety.

Universal Storage provides **high performance filing capacity** for all your needs. You can even mix and match: **multifunctional** shelves alone or mixed with suspended file frames, reference shelves, card trays...etc.

This is not a storage cupboard...

...it's your documents filed and retrieved in no time.



It's a monobloc frame construction

It's shelves fitted in only 36 seconds

This is just one unit to move instead of 10 boxes to pack and unpack

This is a pair of strong metal handles

It's 4 adjustable feet on metal stiffeners

This is a 15-year warranty for complete peace of mind

B6695



It's a top cover rail to save space and money

This is 6 suspended file levels

It's a multi-functional shelf

This is speedy retrieval

It's 5 binder levels

It's a flat bottom

B6216

B6217



B6282

**Ballast fitted from inside**

No need to empty or tip over the cupboard when fitting ballasts for suspended file frames.



B6297

**Interchangeable locks**

One user can have a single key to access and secure items in different storage units. 100 key numbers available.



B6281

**4 glides better than 2**

Allow cupboards to be level when parallel to the wall and perfectly aligned when side by side – tricks that cannot be performed with just two.



B5681

**Easy-to-adjust shelves**

Height markers help position the shelves in no time.



B6264

**Suspended file frame**

Plenty of easy-to-access space for up to 3 rows of hanging files



B6259

**Drawer Units**

Plenty of easy-to-access space for hanging files, as well as smaller items.



B6690

**Flat bottom**

For easy filing and retrieval of binders and other larger items from the bottom shelf.



B6262

**Mobile card trays**

For easy filing and retrieval of CDs, small items and documents.

Make the most of your space

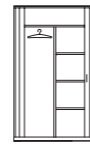
**Wardrobe**  
Stow your personal belongings **securely** with over 30 **wardrobe** combinations.



B6286



1x Single Wardrobe Hinged door unit  
H1980 x W450



2x Single Wardrobes and 3 shelves  
H1980 x W1200



1x Double Wardrobe  
H1980 x W1200



B6284

**Office supply centre**  
Save precious time by **organising** your copies, faxes and mail neatly in service areas with high performance filing featuring elements like **1+1 Worktools** and **internal fittings**.



2x Tambour units  
H850 x W1000



B6283

**Space division**  
Divide your space **economically** with magnetic fabric or pinnable acoustic back panels.



2x Tambour units with decor top  
H730 x W800



3x Tambour units with acoustic back panels  
H1300 x W1200

Universal Storage provides a **large array of secure standalone wardrobe solutions for personal or shared use** and can be used as an organisation platform for an office supply centre. You'll quickly find Universal Storage can do so many things around the office that it's capable of supporting your entire workflow.

**Your space planning ally**

Universal to **match** any Steelcase **desk** range, Universal Storage also doubles as a **space divider**. The medium heights and acoustic back panels support privacy and concentration in open spaces. The great-looking decorative back panels allow you to add that personal touch to your work environment.

Create the right impression

Combine Universal Storage with a Steelcase desk range to meet either **team or personal needs** by selecting **the perfect configuration** of shape, size, internal fittings, materials and finish.



B6260

Choose a contemporary design with warm wood finishes for team and meeting spaces.



2x Hinged Decor Door  
H1300 x W1000

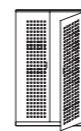


1x Drawer Unit  
H1000 x W1000



B6270

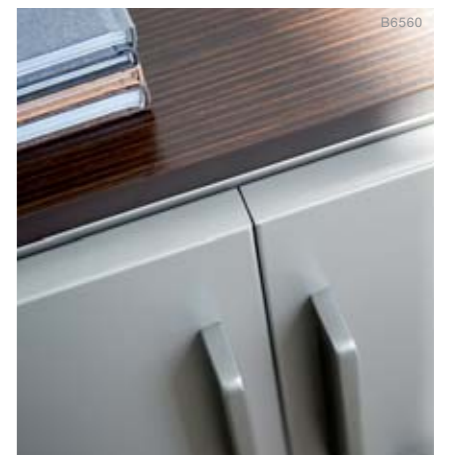
Choose a discreet configuration to create a refined ambience for a manager's office.



1x Hinged  
Metal Executive  
H1700 x W1000



2x Hinged  
Metal Executive  
H1000 x W1000



B6560

## About Steelcase

Since 1912 Steelcase has made a meaningful and measurable contribution to the **success of its customers**. We do this using in-depth knowledge of work and work processes to create a **better work experience**. We make this possible by offering a wide range of **quality office furnishing solutions and support** that customers can rely on, no matter where they are in the world. We add **measurable value** by understanding how people work and serving them through our **unmatched global network**. **Sustainability** is embedded in everything we do. This has made us the **preferred partner** for many of the **world's best companies**.

## Universal Storage's environmental performance

During Universal Storage's development process we considered the environmental impact of **every stage of the product lifecycle**, from materials extraction, production, transportation, use, re-use, to end of life. The Life Cycle Assessment

(LCA - ISO 14044) method helped us **create a more sustainable product** by measuring and reducing the environmental impacts, and thus **avoid the transfers of pollution** from one stage or country to another.



70%  
less impact  
on global warming!

BB549

99%

### End of life

99% recyclable.

Easy to disassemble with hand tools. Qualifies for Steelcase Environmental Partnership Program to ensure environmentally responsible after-use strategies for furniture.

30%

### Materials

30% recycled materials.

No hazardous materials. Tambour doors are in PP (Polypropylene). PP has 70% lower impact on global warming than PVC.

### Use

The internal fittings can be modified to meet new user needs in order to maximise working life.



### Transport

Improved packaging to better protect products.

### Production

The production plant in Marlenheim, France, is certified ISO 14001. The powder-coat painting process is VOC-free and free of heavy metals.

With Universal Storage we can provide:

EPD

**Environmental Product Declarations (EPD).** Based on ISO 14025, its purpose is to communicate clear and transparent information about a product's impact on the environment at all stages of its life cycle.



**"NF Environnement" certification.** Based on ISO 14024, this voluntary certification mark is awarded to products that have a reduced effect on the environment.



**PEFC.** The wooden components of Universal Storage comply with the Programme for the Endorsement of Forest Certification (PEFC).

E1

**E1.** The particle boards comply with the low emission "E1 standard (EN13986)".

## Room for all your ideas

Universal Storage offers a **highly functional range of internal fittings and accessories and works with 1+1 Worktools**. This makes it quicker and easier to store, locate and retrieve the items you need, saving time and

**Book support** holds bigger items firmly in place.



**Pigeon holes** for personal mailboxes or organising papers.



**Magnetic coat hooks** are close at hand and help keep the office tidy.



**Personal lockable compartment** for valuables in shared cupboards.

energy. It also allows you to share data with colleagues more easily. In an average office, **people spend up to 30% of their time looking for information**, so efficient solutions benefit everyone.



**Reference shelf** for reading or writing quick notes on the spot.



**1+1 letter trays and box** keep cupboards orderly.



**CD drawers** provide convenient access.

## Detailed in design

Universal Storage is loaded with smart, simple ways to store your stuff to make the most of your space.



**Drawer hanging file basket** with mobile file bars.



**Mobile card trays** for CDs, small items and documents.



**1+1 box** keeps loose items neatly stowed.



**Telescopic wardrobe rails** for jackets and coats.



**Drawer units** fitted with parallel extraction and limit return mechanism for smooth and safe operation.



**Drawer dividers** to create neat compartments for smaller documents, stationery and objects like CDs.



Side opening tambour doors



Volume: SL  
Door colour: ET  
Top type: Metal (15mm)  
Top colour: SL



Volume: ZW  
Door colour: ZW  
Top type: Tech Top (15mm)  
Top colour: TW



Volume: ZW  
Door colour: ZW  
Top type: Decor (25mm)  
Top colour: WY

Hinged doors



Volume: SL  
Door colour: Metal SL  
Top type: Metal (15mm)  
Top colour: SL



Volume: ZF  
Door colour: Executive ZF  
Top type: Veneer (17mm)  
Top colour: WE



Volume: NI  
Door colour: Decor B4  
Top type: Decor (15mm)  
Top colour: B4

Drawer units



Volume: NI  
Door colour: NI  
Top type: Decor (15mm)  
Top colour: B4

Handles



Rectangular handle



GM6 handle

Backs



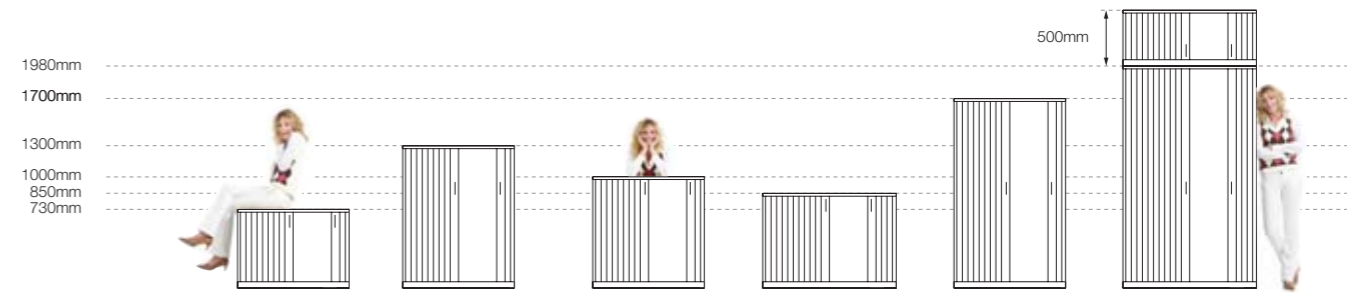
Plain back



Back panel / Fabric, 12mm thick



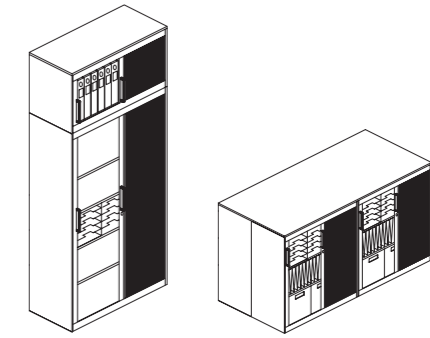
Acoustic back panel / D class, 28mm thick



Side opening tambour doors



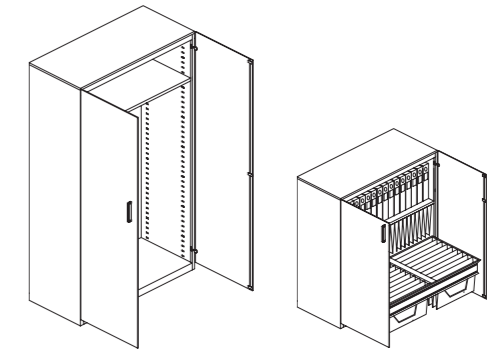
W 800, 1000, 1200



Hinged doors



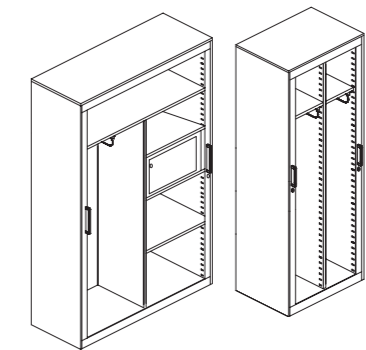
W 800, 1000, 1200



Wardrobes



W 450, 600, 800, 1000, 1200



Drawer units



W 800, 1000

